

IRONING TABLE
ADN 044



USER'S AND MAINTENANCE MANUAL

INDEX

01 - SAFETY NOTICES	3
02 - GENERAL DESCRIPTION AND INTENDED USE	3
03 - EQUIPMENT IDENTIFICATION	3
04 - TECHNICAL FEATURES	4
05 - DETAILS FOR CONNECTIONS	4
06 - IDENTIFICATION OF MAIN COMPONENTS	5
07 - CONTROL AND SIGNALING DEVICES	5
08 - PRECAUTION	6
09 - INSTRUCTIONS FOR USE	6
10 - HAZARDOUS USE	7
11 - HANDLING AND TRANSPORT	7
12 - MACHINE UNPACKING AND INSTALLATION	7
13 - TROUBLESHOOTING AND SOLVING	8
14 - MAINTENANCE PROCEDURES	8
15 - DISPOSAL	8
16 - HOW TO ORDER SPARE PARTS	9
17 - OVERALL DIMENSIONS AND DRAWINGS	11
18 - WARRANTY	13

01 - SAFETY NOTICES

This user manual and maintenance refers to the product: Ironing table "DORIS-A"
It is possible to receive the latest release from our Technical Commercial Department.

The present user's and maintenance manual contains important information for the operator's health safeguard and safety.

Read completely this manual with attention and strictly follow the procedures described in it before installing the equipment and starting it up. Keep this manual carefully and always at the disposal of the product operating personnel.

The manual contains the following graphic symbols that identify clearly important warnings and safety notices:



WARNING!



PROHIBITED!



WARNING! ELECTRICAL PARTS
UNDER VOLTAGE



PROHIBITED TO WALK
OR USE AS SUPPORT



WARNING! HOT SURFACE



KEEP THE EQUIPMENT
AWAY FROM CHILDREN

Failing to follow the indications in this manual could forfeit personnel safety!



Any possible modifications effected on the components of the machine or its different use without prior written authorization by the manufacturer, relieve the latter of injury to persons and / or damages to things, voiding any warranty bindings, as well.

The manufacturer cannot be held liable for any damage to things or injury to persons caused by improper use of the machine in contrast with these instructions.

02 - GENERAL DESCRIPTION AND INTENDED USE

This equipment is intended for professional use or home.



Keep the equipment in every state (still packaged, off, running, etc.) away from children.

Doris-A is a complete ironing table, which doesn't require any supporting equipment for its operation, except for an external power supply.

The machine features: a broad universal ironing board and a sleeve shape (option), both of which are padded, electrically heated and equipped with a vacuum device, a garment tray, a control panel to adjust the board temperature and to operate the different working units, a professional steam iron with built-in boiler, a water feeding pump and a tank, enabling to iron several hours without having to refill the boiler with new water.

Thanks to its operation controlled by pedals on both sides, this very user-friendly and efficient ironing table is also suitable for left-handers.

03 - EQUIPMENT IDENTIFICATION

On the side of the machine is placed an identification plate on which there is:

- Model
- Serial number
- year of construction.
- Supply voltage

04 - TECHNICAL FEATURES

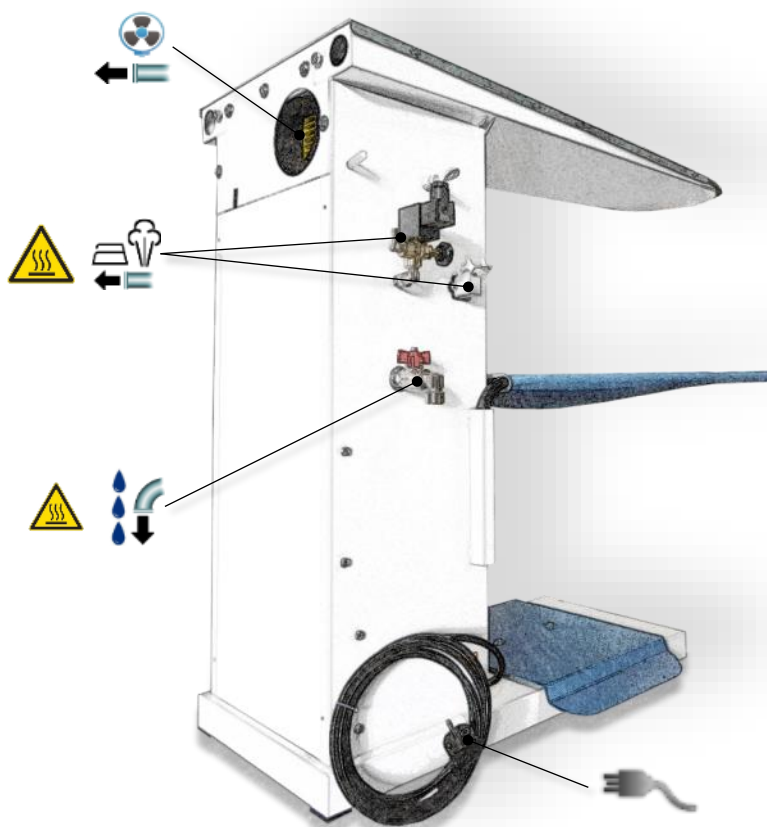
Power supply (*1)	230V – 1ph / 50 Hz			
Power consumption ±5% (*1)	Boiler	Steam	Sleeve	Table
	1450 W	800 W	90 W	700 W
Boiler volume	4 dm ³			
Steam pressure	2,8 bar			
Steam consumption	2 kg/h			
Sound intensity level	< 70 dB(A)			
Working temperature	+ 5 ÷ + 80 °C			
Working humidity	90 % max.			
Storing temperature	- 20 ÷ + 50 °C			
Net dimension	1380 x 380 x 930 mm			
Net weight	42 kg			
Overall dimensions (packaging included)	1300 x 520 x 1020 mm			
Gross weight (packaging included)	45 kg			



WARNING: The machine must not be supplied with different voltages than those indicated on the identification plate.

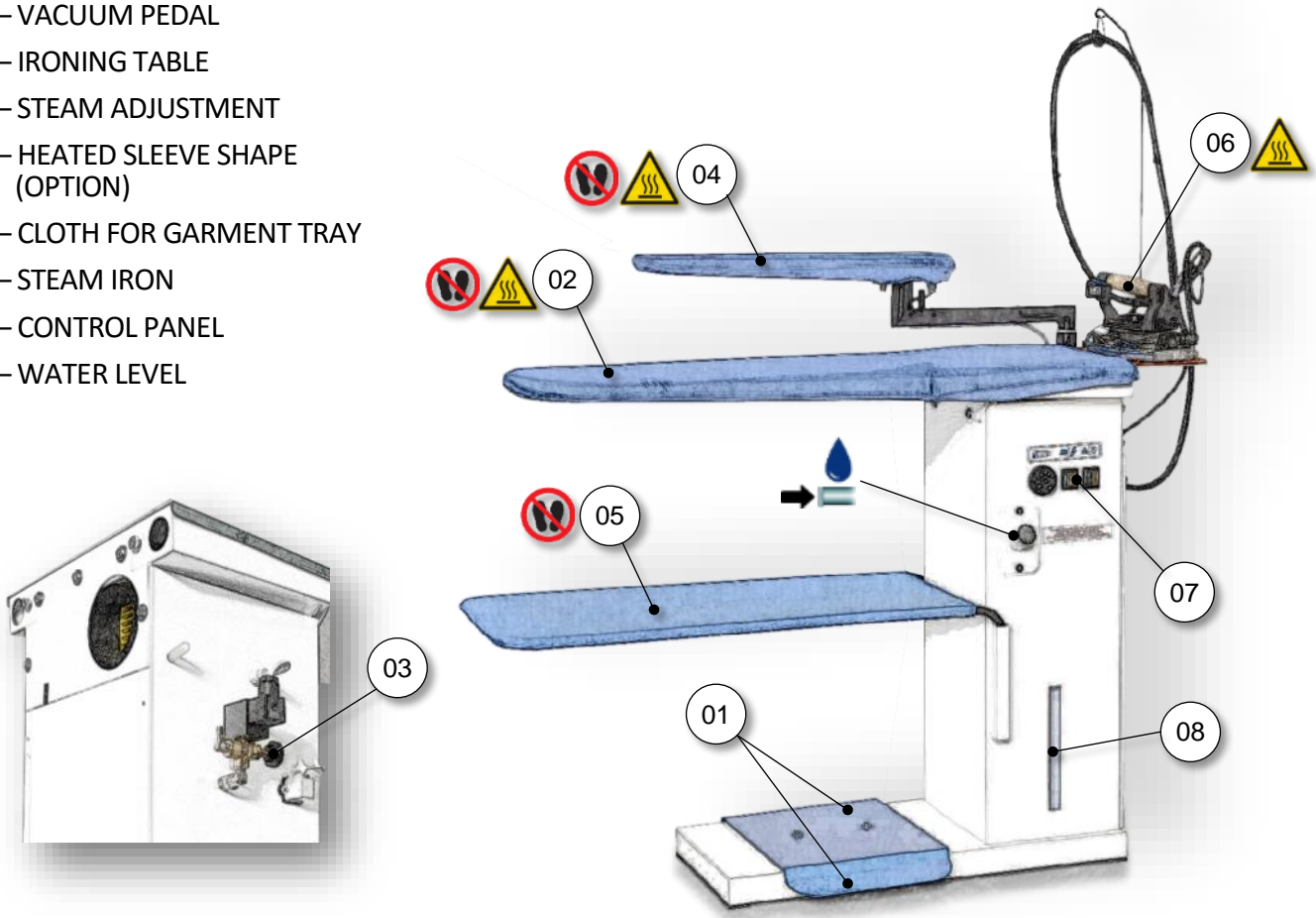
05 - DETAILS FOR CONNECTIONS

SIMBOL	DESCRIPTION	∅
	STEAM OUTLET FOR IRON OR ACCESSORY	∅ 6mm
	WATER INLET	∅ 32mm
	EXHAUSTED SUCTION AIR OUTLET	∅ 90mm
	ELECTRICAL CABLE INLET	SCHUKO 3mt.
	BOILER DRAIN OUTLET	G 3/8"



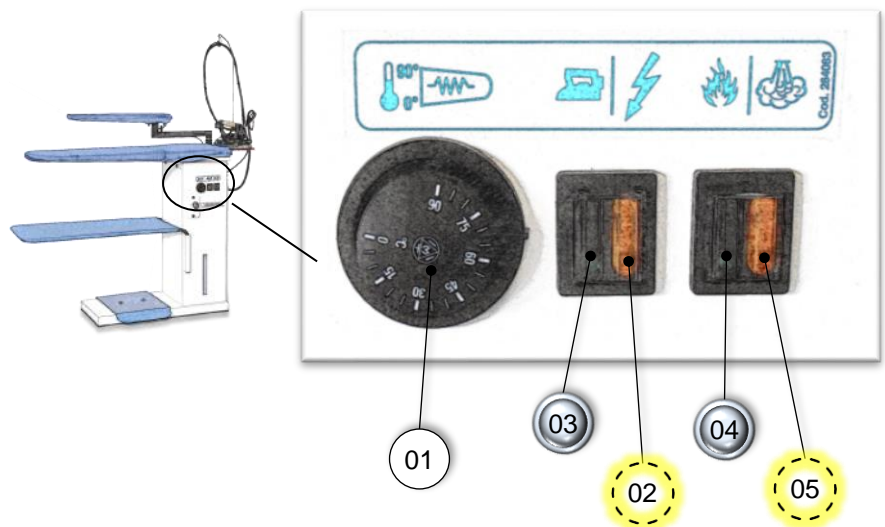
06 - IDENTIFICATION OF MAIN COMPONENTS

- 01 – VACUUM PEDAL
- 02 – IRONING TABLE
- 03 – STEAM ADJUSTMENT
- 04 – HEATED SLEEVE SHAPE (OPTION)
- 05 – CLOTH FOR GARMENT TRAY
- 06 – STEAM IRON
- 07 – CONTROL PANEL
- 08 – WATER LEVEL



07 - CONTROL AND SIGNALING DEVICES

- 01 - BOARD HEATER THERMOSTAT
- 02 - WARNING LIGHT "UNDER TENSION"
- 03 – IRON/HEATED SLEEVE SHAPE(OPTION) SWITCH
- 04 - BOILER SWITCH
- 05 - WARNING LIGHT STEAM PRESSURE



08 - PRECAUTION

Read carefully the instructions and the risks related to the use of an ironing table. The operator has to know its working functions and must clearly understand its dangers with the help of the manual.



If the machine features a steam iron, do not leave it switched on too long and place it always on the relevant iron rest. The ironing boards and the soleplate of the iron remain hot for some minutes after their switching-off, please pay therefore attention to the risks of burns and do not put objects on the table until its complete cooling-down.



Main electrical supply

Prior to carrying out any inspection or service on the machine, it is necessary to disconnect it from the main electrical supply. Make sure, that nobody can reconnect it during the technical service. Every installed electrical or electronic equipment must be earthed.



Inflammability

Adopt all the necessary precautions to avoid any direct contact of the machine with hot materials or flames. Put fire extinguishers near the machine for an immediate intervention in event of fire.



Pressure / Steam

Before each intervention, switch off the boiler first and check that there are no residual pressures inside the boiler or in any branch of the hydraulic circuit, as they could cause steam or product spurts, in case of disassembly of fittings or other components.

Noise

The noise emission is not excessive, because it remains under 70dB(A).

09 - INSTRUCTIONS FOR USE

PUTTING INTO OPERATION



The whole unit can be used, opened and repaired by qualified technicians only.
It is forbidden to use the machine if flooded by liquids or in particularly aggressive or explosive/inflammable places.
Always use suitable pipes according to the working pressure.
Do not ignore the dangers for the operator's health and follow the hygienic and safety regulations.
Check that the electrical wiring is carried out correctly according to the current regulations, and that the fuse blocks are closed and complete of fuses.
Check that the control and safety devices are intact.
Make sure that the machine is intact.
Make sure that the boiler discharge gate is well closed.

USE



WARNING: The first use of the equipment after installation or maintenance must be done on a trial basis and regulation of all parts and accessories using tissues or garments not important. Some parts of the machine may leave halos or spots as used for the first time. This situation may also not occur but is not a fault.

- 1) Make sure that the tank is filled with distilled or demineralised water.
- 2) Switch on the machine by means of the button next to the thermostat.
- 3) Switch on the boiler by means of the corresponding button.
- 4) Adjust the board temperature by means of the thermostat knob.
- 5) Turn the iron knob to the "cotton" position, symbolized by °°°.
- 6) Wait until the boards have reached the set temperature.
- 7) Wait until the boiler warning light switches on, signalling that the boiler has reached the necessary working pressure.
- 8) The ironing table is now ready for use.
- 9) Push the pedal in order to set off the vacuum on the boards.
- 10) Check occasionally if the water level is sufficient.
- 11) An acoustic signal will indicate when the tank has to be fed with new water.
- 12) At the end of work, switch off the ironing table by means of the corresponding switches.



WARNING: DURING OPERATION, DO NOT EVER:

Open the draining faucet.

Leave the equipment operating unchecked, not even for a short period, otherwise turn it off.

10 - HAZARDOUS USE

The conformity verification, according to the essential safety rules and to the provisions of the machine directive, has already been carried out by filling out the specially provided checking lists that are included in the technical file. The checking lists are of two kinds:

- List of dangers (drawn from EN 1050 referring to EN 292)
- Application of the main safety features (Machine Directive– appendix. 1, part 1)

The dangers described in the following have not been completely removed, but they have been deemed to be acceptable:



During the maintenance operation there could be some steam jets at low pressure, (maintenance operation must therefore be carried out by using suitable protection devices)

The user must provide for a protection against direct and indirect contacts.



- SAFETY SHOES.
- VISOR FOR PROTECTION.
- PROTECTIVE GLOVES.

11 - HANDLING AND TRANSPORT

Before its shipment, the machine is carefully packed in a carton box or in a wooden frame. During the shipment and storing of the machine, pay particular attention to the upside indication on the packaging. Upon receipt, please check that the packing is intact and store the machine in a dry place.

12 - MACHINE UNPACKING AND INSTALLATION



ATTENTION: The unit must be installed, opened and repaired by fully qualified technicians only.

If the unit has been damaged externally during transport, may have suffered internal damage to its components. Check the integrity of the machine before installation.

UNPACKING:

Find the most suitable place where to put the machine, then remove the packaging. Make sure that the machine has not been damaged during the transport and the storage.

The packaging material does not require any special precautions for its disposal, for it is not dangerous or polluting at all. Please refer to the local regulations for its disposal.

INSTALLATION:

The machine does not need to be anchored to the floor, except for installation on self-moving means, where it is necessary to use the holes on the base for the right fixing.



For a correct use and operation, as well as for an easy maintenance, leave a free space around the machine



Do not install the machine in dangerous and/or inflammable places and/or unsuitable places.

Do not install the equipment on a inclined pavement or on unstable supports interposed between the machine and the floor, danger of overturning.



Do not step on and not to use the equipment and its work plans as a ladder to reach the high points, and generally do not use it as a support tool. Risk of damage and injury.



When connecting the iron, cut the steam pipe in excess to the suitable working length. Do not leave the excess pipe hanging or rolled up, as this could cause condensation leaks from the iron.

ELECTRICAL WIRING:

The electrical wiring must be carried out as indicated in the drawing. Check that the supply voltage and the frequency correspond to those indicated on the rating plate.

It is advisable to install a switch with fuses or a magnetothermal one.



After all the connections to make sure that the power cables are properly secured and protected from shocks and from contact with hot and/or sharp surfaces.

CONNECTION OF AIR AND STEAM DISCHARGE:

It is advised to discharge the air suctioned by the working planes to the outside of the working place by connecting a pipe to the suction blower outlet. This pipe must have suitable length and diameter in order not to alter equipment working.

13 - TROUBLESHOOTING AND SOLVING

The following diagnostic table reports the main problems which might occur, their probable causes and possible solutions. In case of doubts and/or unsolvable problems using this table, do not look for the malfunction by dismantling the equipment or by proceeding by attempts, but contact the Technical Office or reseller.

DIAGNOSTIC TABLE		
PROBLEMS	POSSIBLE CAUSES	SOLUTIONS
No suction on the boards	Micro-switch of the pedal defect	Replace the micro-switch
	Malfunctioning motor or condenser	Replace
The boards do not heat up	Thermostat defect	Replace the thermostat
	Malfunctioning resistances	Replace
The machine doesn't turn on	Main switch not on	Check if the main switch is on and the fuses.
	Switch turned off	Turn on the switch
No steam is coming out	Iron starting switches or heater deactivated / Malfunctioning solenoid valve	Turn the switch on/Check the solenoid valve.
The sounder is activated	Lack of water / water too distilled	Fill up the tank or do so using tap water
The pumps loads the heater too much	Dirty probe	Clean the heater probe



ATTENTION: if the safety valves is released, switch the boiler immediately off and contact a qualified technician. Do not block the exhaust and do not underestimate the problem, as there could be risk of explosion.

14 - MAINTENANCE PROCEDURES

In case of irregularities or malfunctioning, please contact the service technician for the relevant checks.

Periodically, it is necessary to carry out the following operations:

OPERATION	WORKING HOURS
Boiler discharge	30 - 50

This machine does not require special equipment for check and/or maintenance operations. It is however advisable to use suitable tools and personal protections in compliance with the Italian law by decree 626/94, which have to be in good conditions (Presidential Decree 547/55), in order to avoid any damages to persons or machine components.



Make sure that the power and hidraulic supply are disconnected prior to any maintenance service and that the whole equipment is cooled down.

15 - DISPOSAL

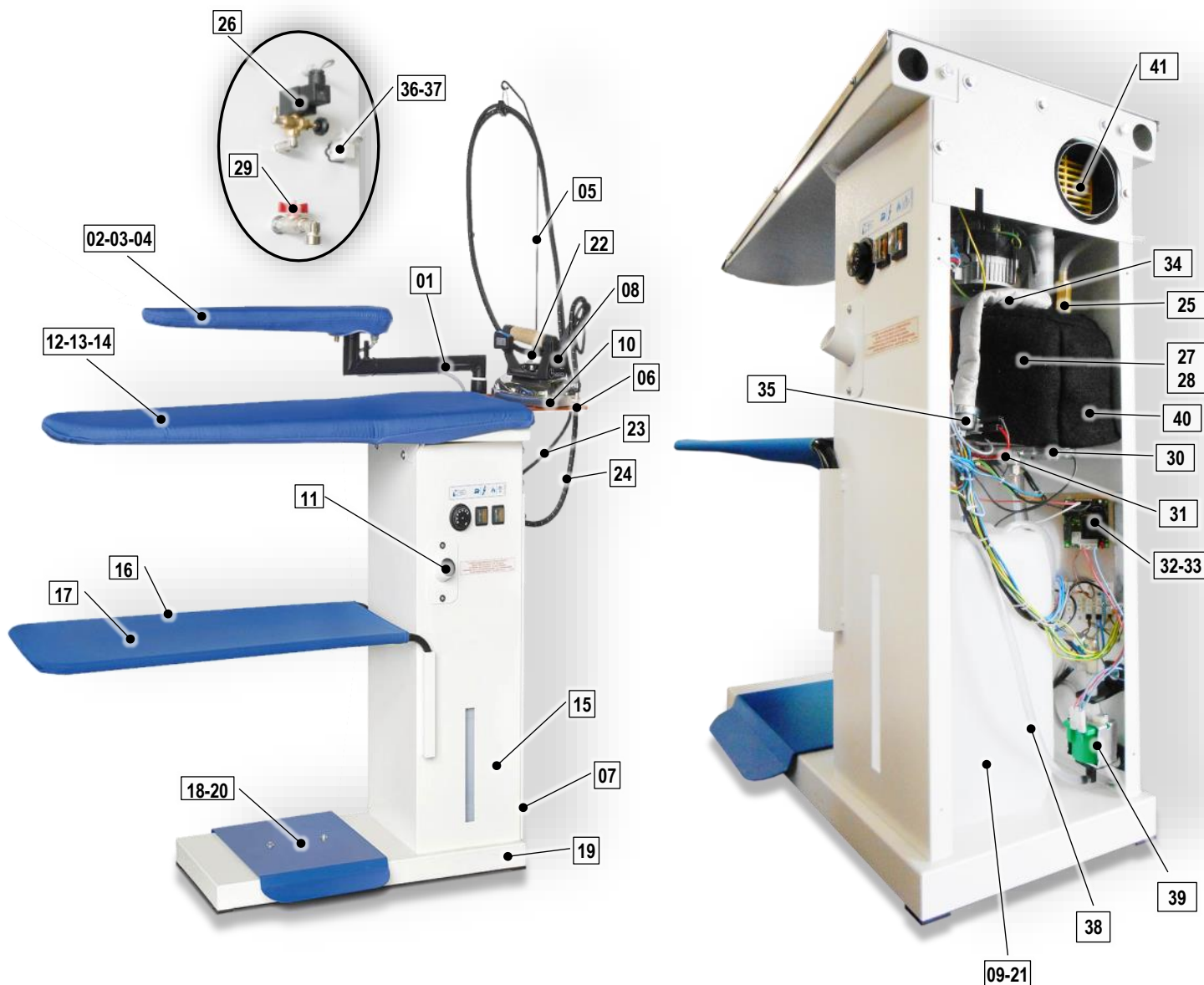
During the maintenance on the machine, or in case of its scrapping, please dispose carefully and correctly of any polluting components, according to the local regulations. In case of scrapping, the identification rating plate and any other document have to be destroyed.

16 - HOW TO ORDER SPARE PARTS

Upon the spare parts request, please quote always:

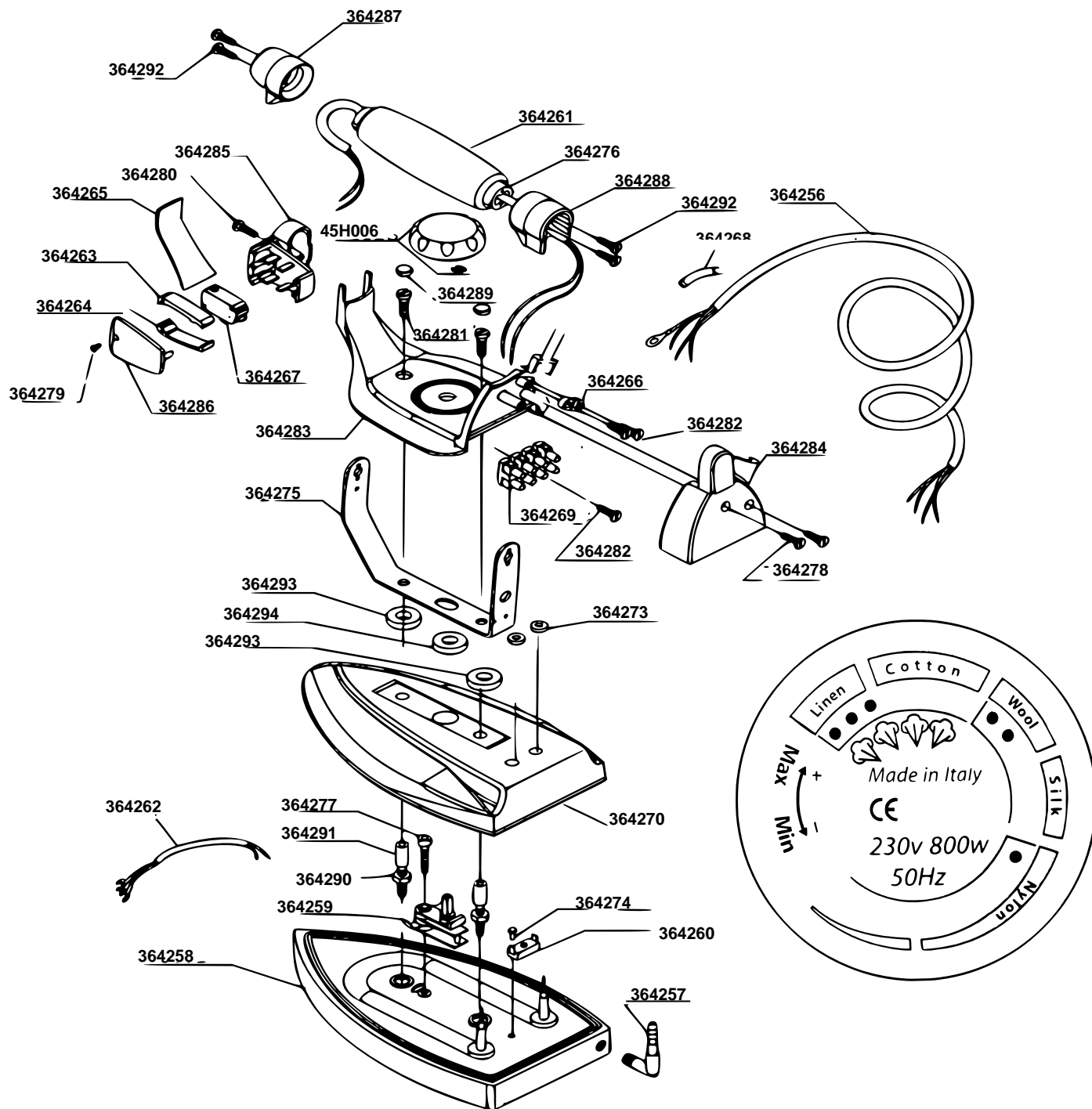
Machine type, serial number, quantity of the requested spare parts, article number (these data can be read on the rating plate or supplied by the technical information of the machine and by the user's and maintenance manual). For electrical components with a different voltage and frequency than V 230-380 50Hz (data available on the rating plate of the faulty component), specify the right voltage and frequency after having mentioned the article number. The technical data, the descriptions and pictures included in this manual are not binding. The manufacturer reserves the right to make any necessary modification without notice or having to up-date the present manual.

The following are the main machine components:



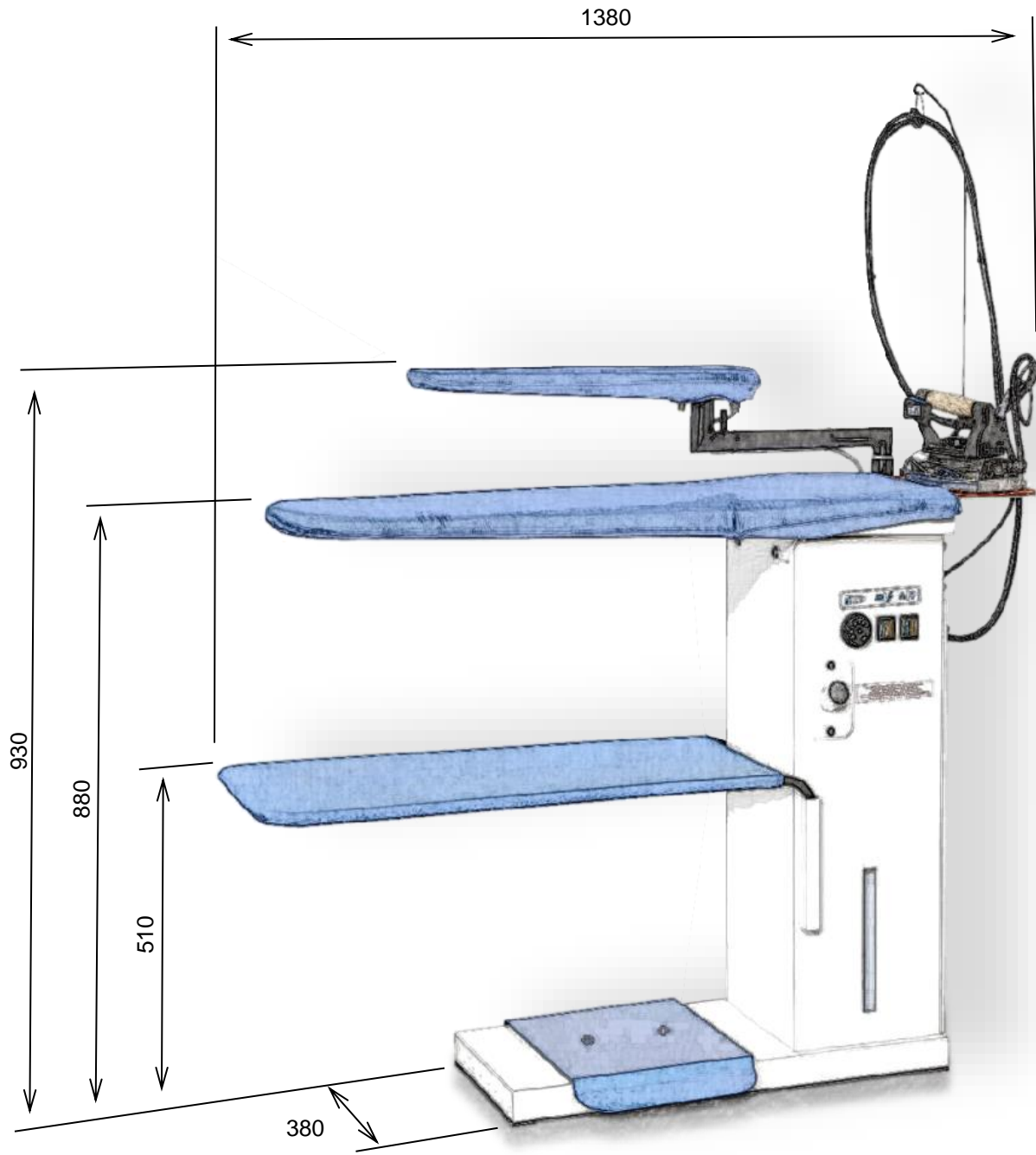
Pos	Cod.#	DESCRIÇÃO	Pos	Cod.#	DESCRIÇÃO	Pos	Cod.#	DESCRIÇÃO
1	Z14H06	Sleeve shape joint	15	163487	Frame Doris-A	29	37A010	Boiler discharge cock
2	163472	Sleeve shape	16	173443	Tubular support for garment tray	30	212035	Boiler heater 1450W
3	163473	Sleeve shape plate	17	274208	Garment tray cloth	31	45B018	Safety thermostat for boiler heater
4	Z27P33	Sleeve shape padding	18	163484	Vacuum control pedal	32	25L043	Printed circuit board
5	364253	Antenna for cable	19	163486	Bedplate	33	30A001	PCB-wiring
6	25A001	Silicone pad for iron rest	20	43D002	Vacuum micro-switch	34	49E005	Boiler probe
7	163488	Rear panel	21	49E007	Water tank electrodes	35	45G012	Pressure switch
8	Z01S10	Steam iron mod. K	22	163403	Coupling for antenna	36	43H006	Iron plug
9	165037	Water tank	23	46B001	Electric cable for steam iron	37	43G004	Steam iron socket
10	163485	Iron rest tray	24	07A001	Steam hose 2.4 m	38	06D030	Hoses for water feeding/recovery
11	06D012	Water feeding hose	25	38S001	Safety relief valve	39	Z07P14	Water pump kit
12	163489	Board	26	39B045	Steam solenoid valve	40	224325	Boiler insulation
13	163480	Board plate	27	201018	Boiler complete with heater 1450W	41	42D006	Vacuum motor
14	Z27P32	Board padding	28	201011	Boiler drum			

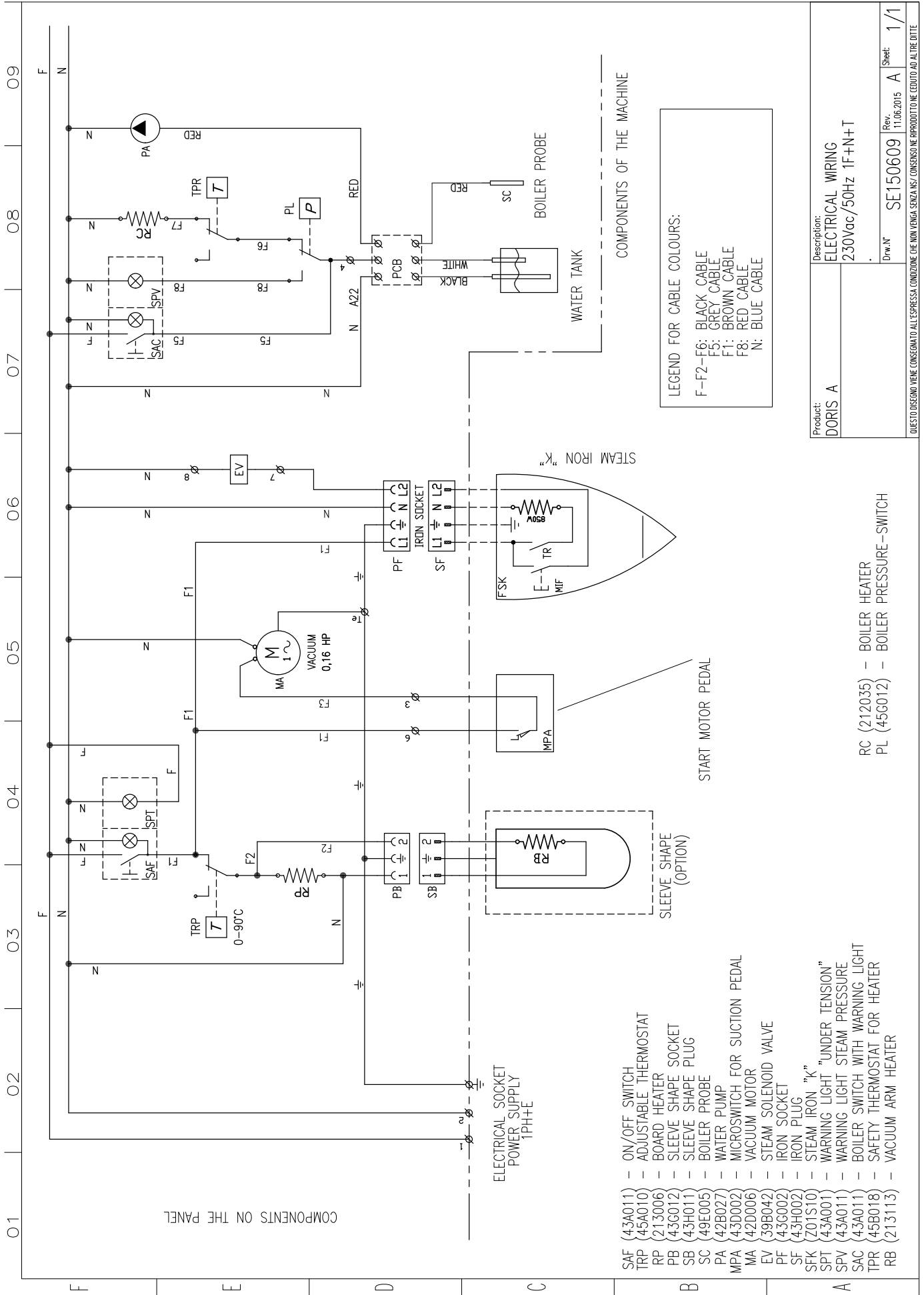
STEAM IRON "K" cod.Z18D00



Pos	Cod.#	BESCHREIBUNG	Pos	Cod.#	BESCHREIBUNG	Pos	Cod.#	BESCHREIBUNG
1	364273	Fairlead for board heater	14	364278	Screw for back cover	27	364287	Frontal handle holder for iron
2	364256	Electric cable for iron	15	364279	Screw for iron microswitch cover	28	364288	Back handle holder for iron
3	364274	Screw for thermostat (bulb shape)	16	364280	Screw for microswitch holder 3,5 x16 AU	29	364289	Screws covers for iron
4	364257	Hose holder in nickel-plated brass	17	364281	Screw for handle fixing M5 x 10 ZNB	30	364290	Brass washer
5	364258	Complete iron plate	18	364282	Screw for terminal board fixing	31	364291	Brass spacers
6	364259	Adjustable thermostat	19	364283	Handle cover for iron	32	364267	Complete microswitch for iron
7	364260	Manually reloaded thermostat	20	364284	Rear cover for iron	33	364292	Screw for handle iron
8	364261	Cap handle	21	364285	Buttons holder for iron	34	45H006	Knob in black bakelite
9	364275	Handle support for iron	22	364286	Buttons holder cover for iron	35	364293	Washer for screw
10	364270	Casing for iron	23	364263	Upper button for iron	36	364294	Washer for knob
11	364262	Electric connection for iron	24	364264	Lower button for iron	37	364268	Fairlead for electric cable
12	364276	Insert for iron handle	25	364265	Plate for handle support	38	364269	Terminal board 4 poles
13	364277	Screw M4 x 22 for thermostat fixing	26	364266	Cable holder for iron			

17 - OVERALL DIMENSIONS AND DRAWINGS





- SAF (43A011) - ON/OFF SWITCH
- TRP (45A010) - ADJUSTABLE THERMOSTAT
- RP (213006) - BOARD HEATER
- PB (43G012) - SLEEVE SHAPE SOCKET
- SB (43H011) - SLEEVE SHAPE PLUG
- SC (49E005) - BOILER PROBE
- PA (42B027) - WATER PUMP
- MPA (43D002) - MICROSWITCH FOR SUCTION PEDAL
- MA (42D006) - VACUUM MOTOR
- EV (39B042) - STEAM SOLENOID VALVE
- PF (43G002) - IRON SOCKET
- SF (43H002) - IRON PLUG
- SFK (201S10) - STEAM IRON "K"
- SPT (43A001) - WARNING LIGHT "UNDER TENSION"
- SPV (43A011) - WARNING LIGHT STEAM PRESSURE
- SAC (43A011) - BOILER SWITCH WITH WARNING LIGHT
- TPR (45B018) - SAFETY THERMOSTAT FOR HEATER
- RB (213113) - VACUUM ARM HEATER

- RC (212035) - BOILER HEATER
- PL (45G012) - BOILER PRESSURE-SWITCH

18 - WARRANTY

All our products are supplied with a guarantee for materials and manufacturing failures for a period of maximum 12 months from the date of the delivery.



The guarantee is extended as it follows:

In case of malfunction of the machinery contact the manufacturer and quote the trouble, the model, serial number and the operating conditions of the machine. At the receipt of the machine and after an accurate analysis, the manufacturer reserves the right to repair or to replace the product. If the machine is still under guarantee, the manufacturer will repair or replace it free, but if the returned product is not defective, the manufacturer reserves the right to charge the freight to the customer (transport, etc.). This warranty must be considered annulled in case of damages caused by an incorrect use, negligence, wear and tear, chemical corrosion, installation in contrast with the operating instructions. Any eventual modification or different use of the machine must be previously authorized by the manufacturer through a written document, otherwise the manufacturer can be considered free even from the guarantee bond. The parts of the machine which are subjected to wear and tear are not included in the guarantee. All the items not explicitly cited or damages and expenses caused by the defects of the product itself. Implicitly the customer accepts the conditions of the present warranty purchasing the machine. Eventual modifications to the guarantee must be authorized by the manufacturer through a written document.