

BETA 3

TPA

*User's and
Maintenance
Manual*



ADN 042
ENGLISH



<i>Product</i>	Steam generator – BETA 3 Ironing table – T.P.A.
<i>Year</i>	2006
<i>Certification</i>	CE

CONTENTS

1	INTRODUCTION	9	PRECAUTIONS
2	GENERAL DESCRIPTION	10	HAZARDOUS USE
3	MACHINE IDENTIFICATION	11	ELECTRICAL WIRING
4	TECHNICAL FEATURES	12	MAINTENANCE PROCEDURES
5	MACHINE COMPONENTS	13	DISPOSAL
6	MACHINE UNPACKING AND INSTALLATION	14	HOW TO ORDER SPARE PARTS
7	INSTRUCTIONS FOR USE	15	HANDLING AND TRANSPORT
8	TROUBLESHOOTING AND SOLVING	16	WARRANTY

1 INTRODUCTION

The present user's and maintenance manual refers to the steam generator "Beta 3" and to the ironing table "T.P.A.". It is possible to receive the latest release from our Technical Commercial Department.

The present user's and maintenance manual contains important information for the operator's health safeguard and safety.

This manual has to be read and kept carefully, in order to be always at the operator's disposal in case of need.

The manufacturer cannot be held liable for any damage to things or injury to persons caused by improper use of the machine in contrast with these instructions.

Any possible modifications effected on the components of the machine or its different use without prior written authorization by the manufacturer, relieve the latter of injury to persons and / or damages to things, voiding any warranty bindings, as well.

2 GENERAL DESCRIPTION

Beta 3 is a small electric steam generator, featuring a heat insulated aluminium and pressure die-cast boiler, with manual water feeding. It is usually offered in combination with the T.P.A. - a vacuum and folding ironing table, with electrically heated board and built-in vacuum unit – or on a special trolley.

The unit has to be connected to an external power supply for its operation.

The machine features a broad and padded working surface, a garment tray, a control panel, as well as a professional steam iron.

This table is very user-friendly and efficient, thanks to its easy operation by means of a foot pedal, activating the suction on the ironing board.

On the front panel, it is possible to switch on the heating element of the vacuum board.

3 MACHINE IDENTIFICATION

A tag placed on one side of the control panel indicates the type, serial number, year of construction and the voltage of the machine.

4 TECHNICAL FEATURES

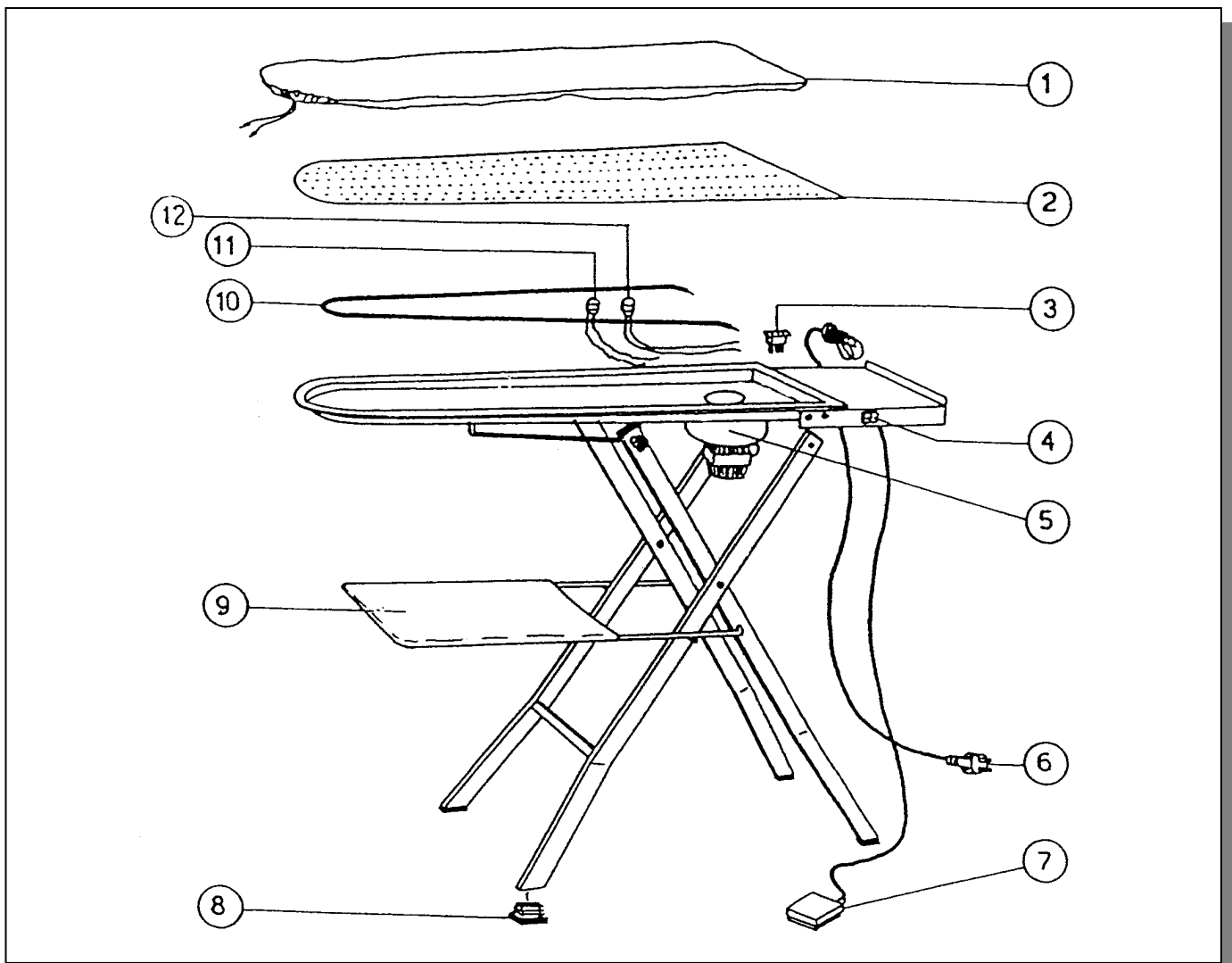
TECHNICAL FEATURES - BETA 3		
Type of steam generator	BETA 3 L 1,8	BETA 3 L4
Power supply	230 V – 1ph / 50 Hz	
Boiler power consumption	1000 W	1650 W
Iron power consumption	800 W	800 W
Boiler capacity	1,75 Lt	4 Lt
Working range	2 / 3 h	5 / 6 h
Steam pressure	2,6 bar	
Sound intensity level	< 70 dB(A)	
Working temperature	+ 5 ÷ + 80 °C	
Working humidity	90 % max.	
Storing temperature	- 20 ÷ + 50 °C	
Net dimensions	230 x 420 x 300 mm	230 x 420 x 430 mm
Net weight	8 Kg	9 Kg
Overall dimensions (packaging included)	600 x 440 x 450 mm	
Gross weight (packaging included)	9 Kg	10Kg

TECHNICAL FEATURES – T.P.A.	
Power supply	230 V – 1ph / 50 Hz
Power consumption of the board heating element	600 W
Board dimensions	1100 x 380 x 240
Sound intensity level	< 70 dB(A)
Working temperature	+ 5 ÷ + 80 °C
Working humidity	90 % max.
Storing temperature	- 20 ÷ + 50 °C
Net dimensions	1380 x 380 x 930 mm.
Net weight	22 Kg
Overall dimensions (packaging included)	1450 x 430 x 350 mm
Gross weight (packaging included)	24 Kg

WARNING: The machine must not be supplied with different voltages than those indicated on the table.

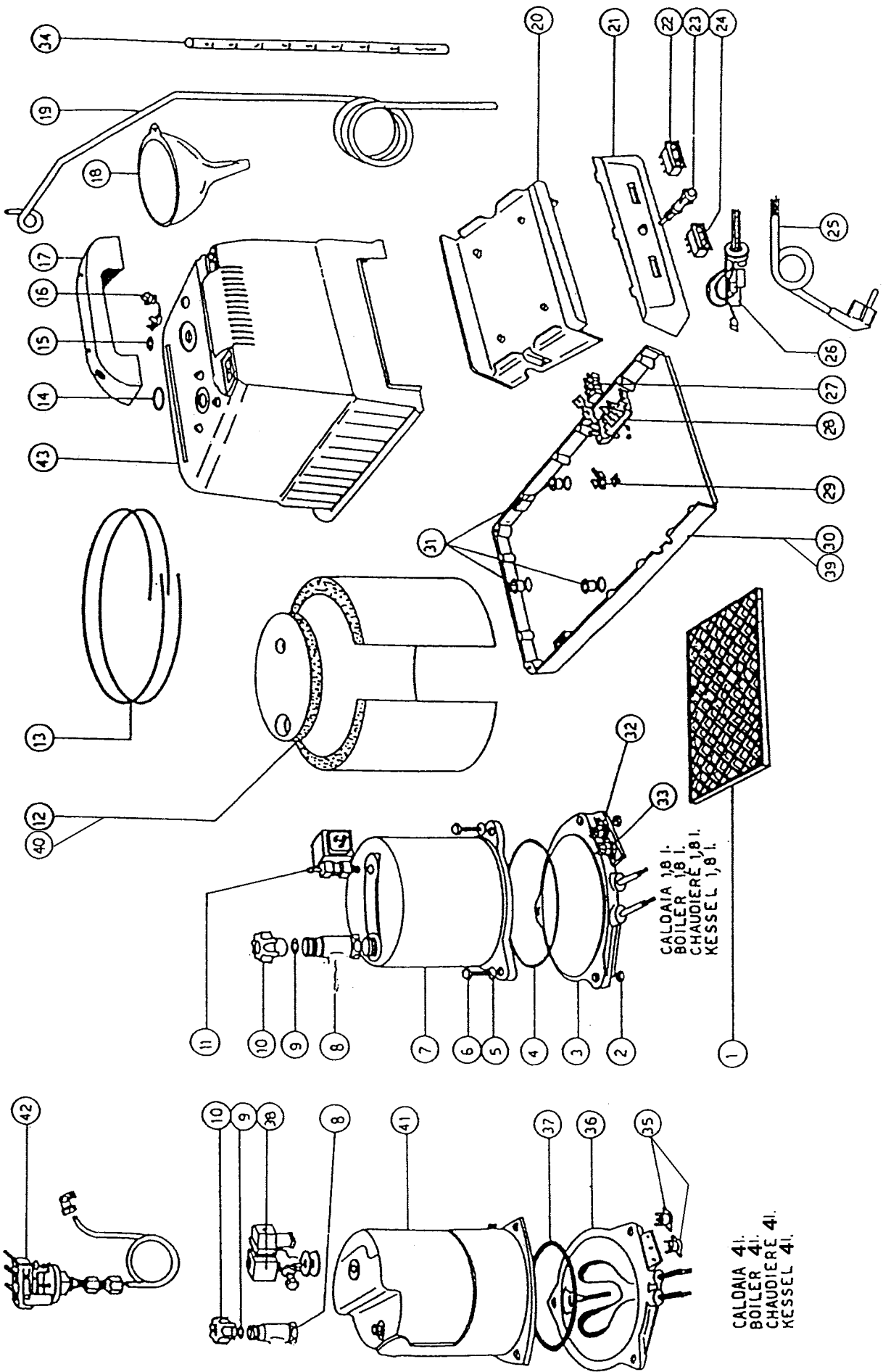
5 MACHINE COMPONENTS

The machine is composed of the following main components: **Exploded drawing of the vacuum table T.P.A.**



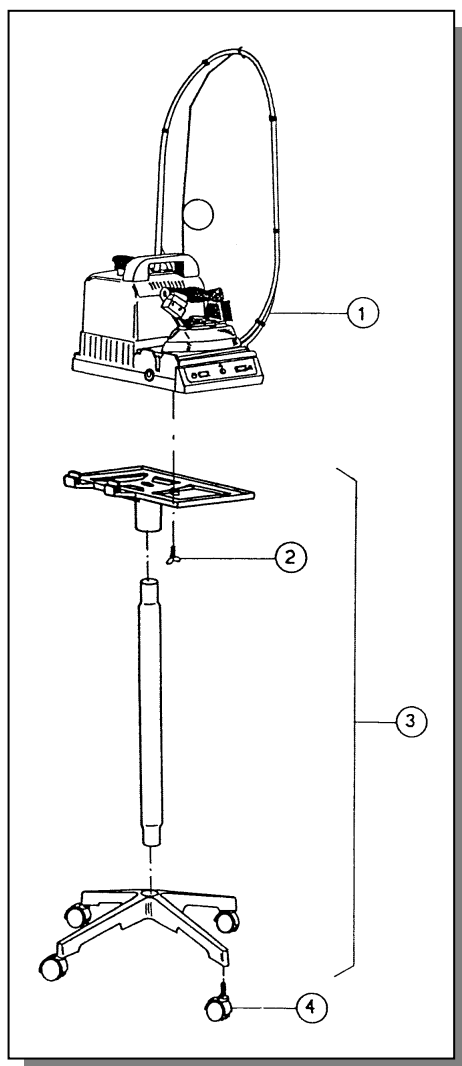
Pos.	ARTICLE	DESCRIPTION	Pos.	ARTICLE	DESCRIPTION
1	274207	Table cloth and padding	7	43B009	Vacuum pedal
2	Z25H05	Perforated plate	8	Z25H07	Foot
3	43G008	Socket	9	274216	Cloth for garment tray
4	43A020	Switch	10	Z25H01	Table heater 600 W
5	Z25H02	Vacuum unit 230V - 50/60 Hz	11	45B009	Safety thermostat with reset 135° C
	Z25H06	Vacuum unit 110V - 60 Hz	12	45B008	Table thermostat 90° C
6	463281	Electric cable			

Boiler BETA 3



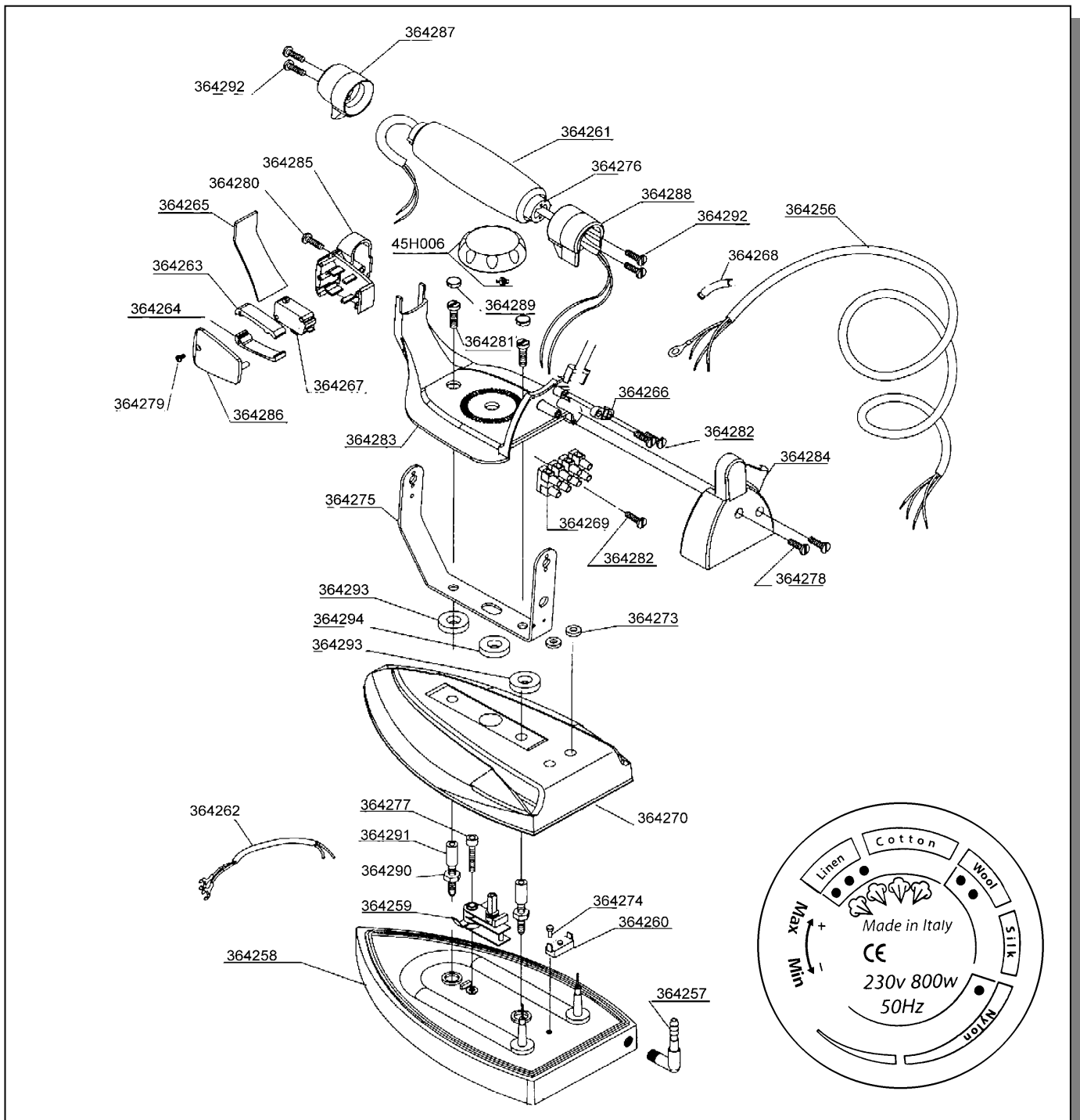
Pos.	ARTICLE	DESCRIPTION	Pos.	ARTICLE	DESCRIPTION
1	25A003	Silicone iron rest	21	34D002	Control panel
2		Nut	22	43A004	Iron switch
3	212042	Boiler heater 1,8 L - 1000 W - 230 V	23	43C004	Warning light
	212041	Boiler heater 1,8 L - 1000 W - 110 V	24	43A004	Boiler switch
4	24A009	Boiler gasket 1,8 L	25	463283	Cable with plug
5		Washer	26	46C020	Electric cable clamp
6		Screw	27	43J001	Terminal board
7	201016	Boiler 1,8 L	28	43J002	Terminal board support
8		Stub tube	29	51F003	Square caged nut
9	244251	Boiler cap gasket	30	34D004	Frame 1,8 L
10	524221	Boiler cap	31	224246	Dutral®-spacers
11	39B010	Solenoid valve 230 V – 50/60 Hz M&M	32	45B004	Safety thermostat with reset 170° C
	39B011	Solenoid valve 110 V – 60 Hz M&M	33	45B002	Working thermostat 140° C
	39B024	Solenoid valve 230 V – 50 Hz CEME	34	Z27A01	Rod for water level control
	39B025	Solenoid valve 230 V – 50 Hz OLAB	35	45B007	Thermostat couples
12	36H025	Boiler heat insulation 1,8 L	36	212040	Boiler heater 1650 W
13	51X015	Rings for boiler insulation	37	24A015	Boiler gasket 4 L
14	244219	Vent gasket for safety valve	38	39B006	Complete solenoid valve with adjustment
15	244218	Vent gasket for solenoid valve	39	34D005	Frame 4 L
16	46C019	Electric cable gland	40		Boiler heat insulation 4 L
17	22D002	Handle	41	201020	Boiler 4 L
18	22I001	Funnel	42	45G009	Pressure switch
19	534266	Cable and steam hose antenna	43	22D001	Cover with handle
20	34D003	Iron rest support			

Trolley for BETA 3 (option)



Pos.	ARTICLE	DESCRIPTION
1		Beta 3
2		Screw for the fixing of Beta 3 to the trolley
3	Z27A00	Complete trolley
4	56B001	Wheel (in a set of 4)

Steam iron type K



ART.	DESCRIPTION	ART.	DESCRIPTION	ART.	DESCRIPTION
364273	Cable holder for board heater	364278	Self-tapping screw	364287	Front Handle holder
364256	Electric cable for iron	364279	Fixing screw for iron micro-switch	364288	Rear handle holder
364274	Bulb screw for thermostat	364280	Screw for micro-holder 3,5 x 19 AU	364289	Screw caps
364257	Cable holder angle out of nickel brass	364281	Fixing screw for handle M5 x 10 ZNB	364290	Brass spacer washer
364258	Finished steam iron plate	364282	Fixing screw for terminal strip	364291	Male female brass spacer
364259	Adjustable thermostat	364283	Iron cover	364267	Complete micro switch for iron
364260	Thermostat with manual resetting	364284	Rear cover	364292	Fastening screw for handle
364261	Cork handle	364285	Switch holder for iron	45H006	Black Bakelite knob
364275	Bracket for steam iron	364286	Cover for switch holder	364293	Washer for screws
364270	Steam iron cap	364263	Upper iron switch	364294	Washer for knob
364262	Wiring for steam iron	364264	Lower iron switch	364268	Holder for electric cable
364276	Insert for iron handle	364265	Cover plate for iron bracket	364269	4 stud terminal strip
364277	Fixing screw M4 x 22 for thermostat	364266	Cable clamp		

6 MACHINE UNPACKING AND INSTALLATION

ATTENTION: The unit must be installed, opened and repaired by fully qualified technicians only.

6.1 UNPACKING

Find the most suitable place where to put the machine, then remove the packaging. Make sure that the machine has not been damaged during the transport and the storage.

The packaging material does not require any special precautions for its disposal, for it is not dangerous or polluting at all. Please refer to the local regulations for its disposal.

6.2 MACHINE INSTALLATION

The machine has not to be anchored to the floor. For a correct use and operation, as well as for an easy maintenance, leave enough free space around the machine.

Do not place the machine in dangerous and/or explosive/inflammable places.

6.3 ELECTRICAL WIRING

The electrical wiring must be carried out as indicated in the drawing. Check that the supply voltage and the frequency correspond to those indicated on the rating plate. The feeding socket and the extension cable must suit the machine absorption and comply to the current regulations. It is advisable to install a switch with fuses or a magnetothermal one.

ATTENTION: After having carried out all the electrical connections, make sure that the cables are protected against any possible hits and are suitably fixed and isolated.

7 INSTRUCTIONS FOR USE

7.1 PUTTING INTO OPERATION

- The whole unit can be used, opened and repaired by qualified technicians only.
- It is forbidden to use the machine if flooded by liquids or in particularly aggressive or explosive/inflammable places.
- Do not ignore the dangers for the operator's health and follow the hygienic and safety regulations.
- Check that the electrical wiring is carried out correctly according to the current regulations, and that the fuse blocks are closed and complete of fuses.
- Verify if the machine is intact.
- Place the boiler along with the steam iron on the relevant rest beside the ironing board.
- Unscrew the cap, letting out any possible air remnants inside the boiler and fill the tank of the Beta 3 with 1.5 lt. or with 3,8 lt. regarding Beta 3-L4 of drinking water (possibly warm, without adding any other fluids; do not use purified water or softeners), by means of a funnel, paying attention to not let it run over.
- Connect the plug of the Beta 3 and of the T.P.A. to the relevant sockets.
- Place the pedals near the working place.
- Once this operation has been carried out, the machine is ready for use.

7.2 USE

- Verify the water level inside the boiler tank. If necessary, carry out the above mentioned steps.
- It is possible to iron even without having to fill the boiler completely, as with 1 lt. the steam generator has a working range of about 1 ÷ 2 hours. In order to check the water volume inside the boiler, just insert the relevant level control rod inside the boiler, by putting one finger on the upper hole upon its pulling out.
- Turn the main switch (of the ironing board) to "I". The pilot light will go on, confirming that the table is now connected to the power supply.
- Turn the boiler switch of the steam generator on. The pilot light will go on, confirming that the steam generator is now connected to the power supply. Prior to this operation, it is advisable to set the iron knob on the "cotton" position, indicated by the symbol "○○○".
- Wait a few minutes until the ironing board has reached the required temperature.
- Wait until the central pilot light of the boiler turns on, indicating "boiler under pressure" (approx. 15/20 minutes).
- The steam iron is now ready for use.
- By means of the relevant pedal, activate the vacuum function, both when the garments are to be placed on the ironing board, in order to simplify a uniform positioning, and when the garments are steamed-up, thus eliminating any excess steam off the clothes.
- At the end of the ironing operation, it is advisable to leave the table open to dry and to let the main switch turned on for a few minutes, in order to remove any possible condensation remnants, formed during the ironing process.
- At the end of the work and once the drying process of the board is completed (optional), turn off the boiler and the board by means of the relevant buttons.
- Disconnect the plug from the power supply and wait until both board and iron are completely cooled down before closing the table and store it in a closed place.

N.B.: Do not unscrew the cap in order to exhaust the steam at the end of the ironing, **never ever turn the steam generator upside down**, in order to pour out the water remnants inside.

7.3 HOW TO REFILL THE TANK WITH WATER

- If during the ironing process the steam output stops and the water warning light of the boiler remains turned on, it means that there is not enough water inside the boiler.
- Switch off the boiler by means of the relevant switch.

- Make sure that the boiler is not under pressure anymore, by pushing repeatedly the micro switch on the steam iron, until no more steam comes out.
- Switch off the steam iron and the boiler.
- Wait 20/25 minutes.
- Slowly unscrew the cap, by making sure that no steam under pressure will come out.
- Fill the tank with drinkable and possibly warm water.
- Close the cap again, making sure that it is well tightened.
- Press the steam iron and the boiler button of the steam generator, which will then light up.
- Wait until the central water warning light turns on, indicating “boiler under pressure” (approx. 15/20 minutes).
- Push repeatedly the micro switch on the steam iron, in order to eliminate any condensation remnants inside the pipes.
- The steam iron is now again ready for use.

ATTENTION: Do not leave the steam iron switched on when not used. The boiler features a safety thermostat which is activated only in case of failure. This kind of device has to be replaced or reset by qualified technicians only.

8 TROUBLESHOOTING AND SOLVING

The following diagnostic table indicates the main irregularities which can occur, the probable causes and their possible solutions

In case of doubts and/or of problems which can't be solved, do not attempt to disassemble parts of the machine for the troubleshooting, but contact our Technical Office or seller.

DIAGNOSTIC TABLE		
PROBLEMS	POSSIBLE CAUSES	SOLUTIONS
The vacuum option on the board doesn't work	The micro switch of the pedal is faulty	<i>Replace the micro switch</i>
	Connector unplugged	<i>Insert the connector</i>
The board is not heated	Faulty thermostat	<i>Replace the thermostat</i>
	Connector unplugged	<i>Insert the connector</i>
The machine doesn't turn on	Main switch turned off or plug not correctly inserted	<i>Make sure that the main switch is turned on, verify the fuses and the plugs.</i>
	Switch turned off	<i>Turn the switch on</i>
The iron doesn't steam	Switch of the iron or the boiler turned off.	<i>Turn the switches on</i>
	Lack of water inside the boiler “water warning light on”	<i>Fill the tank with water</i>

9 PRECAUTIONS

Read carefully the instructions and the risks related to the use of an ironing table. The operator has to know its working functions and must clearly understand its dangers with the help of the manual.

Main electrical supply

Prior to carrying out any inspection or service on the machine, it is necessary to disconnect it from the main electrical supply. Make sure, that nobody can reconnect it during the technical service.

Every installed electrical or electronic equipment must be earthed.

Inflammability

Adopt all the necessary precautions to avoid any direct contact of the machine with hot materials or flames. Put fire extinguishers near the machine for an immediate intervention in event of fire.

Pressure / Steam

Prior to any intervention, switch off the boiler first, wait until all the pipes are cooled down and check that there are no residual pressures inside the boiler or in any branch of the hydraulic circuit, as they could cause steam or product spurts, in case of disassembly of fittings or other components.

Noise

The machine's noise level is not very high, as it remains under 70dB (A).

10 HAZARDOUS USE

The conformity verification according to the essential safety rules and to the provisions of the machine directive has already been carried out by filling out the specially provided checking lists, included in the technical file.

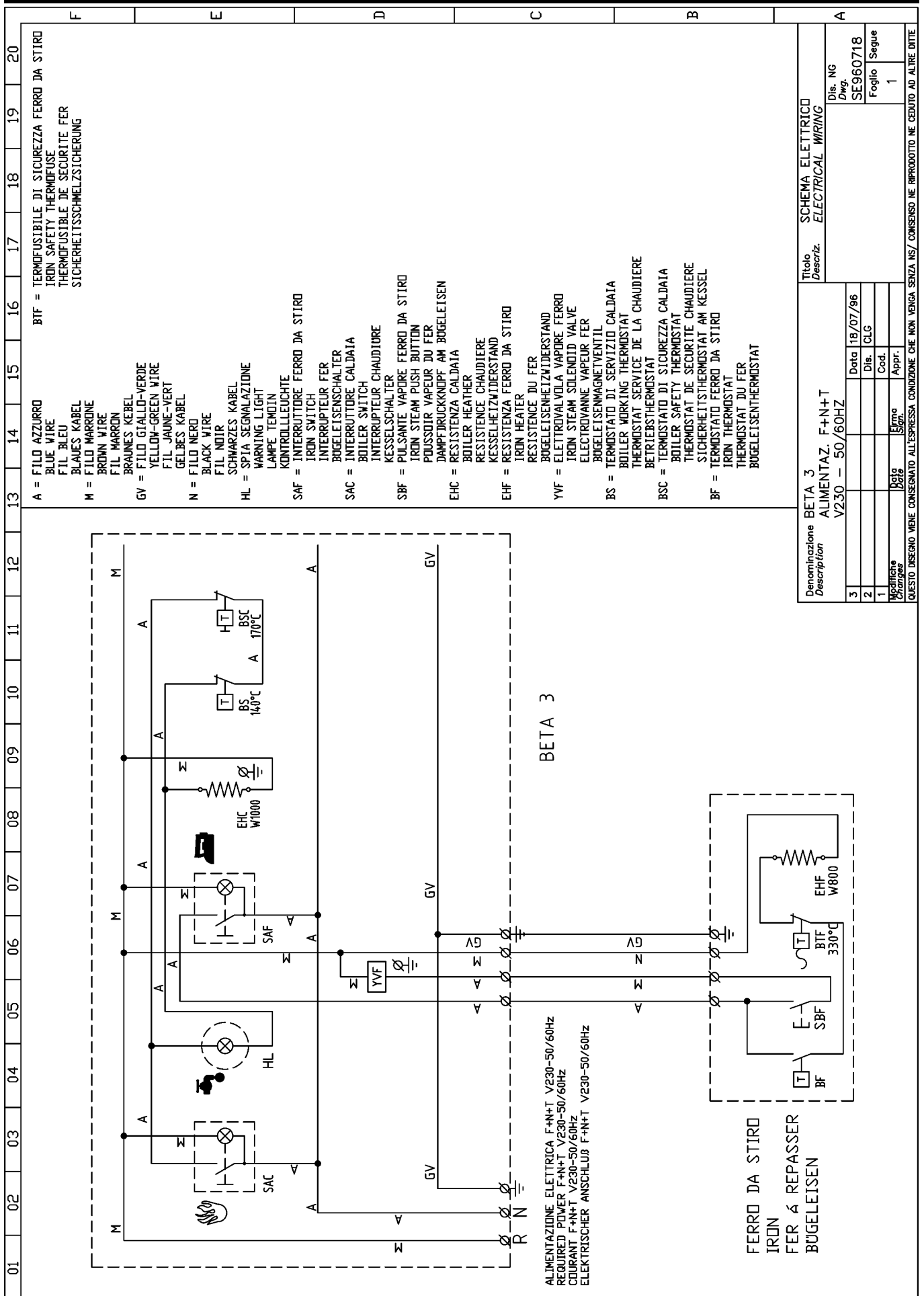
The checking lists are of two kinds:

- List of dangers (drawn from EN 1050 referring to EN 292)
- Application of the main safety features (Machine Directive— appendix. 1, part 1)

The dangers described in the following have not been completely removed, but they have been deemed to be acceptable:

- During the maintenance operation there could be some steam jets at low pressure, (maintenance operation must therefore be carried out by using suitable protection devices)
- The user must provide for a protection against direct and indirect contacts.

11 ELECTRICAL WIRING



ALIMENTAZIONE ELETTRICA F+N+T V230-50/60Hz
 REQUIRED POWER F+N+T V230-50/60Hz
 COURANT F+N+T V230-50/60Hz
 ELEKTRISCHER ANSCHLUß F+N+T V230-50/60Hz

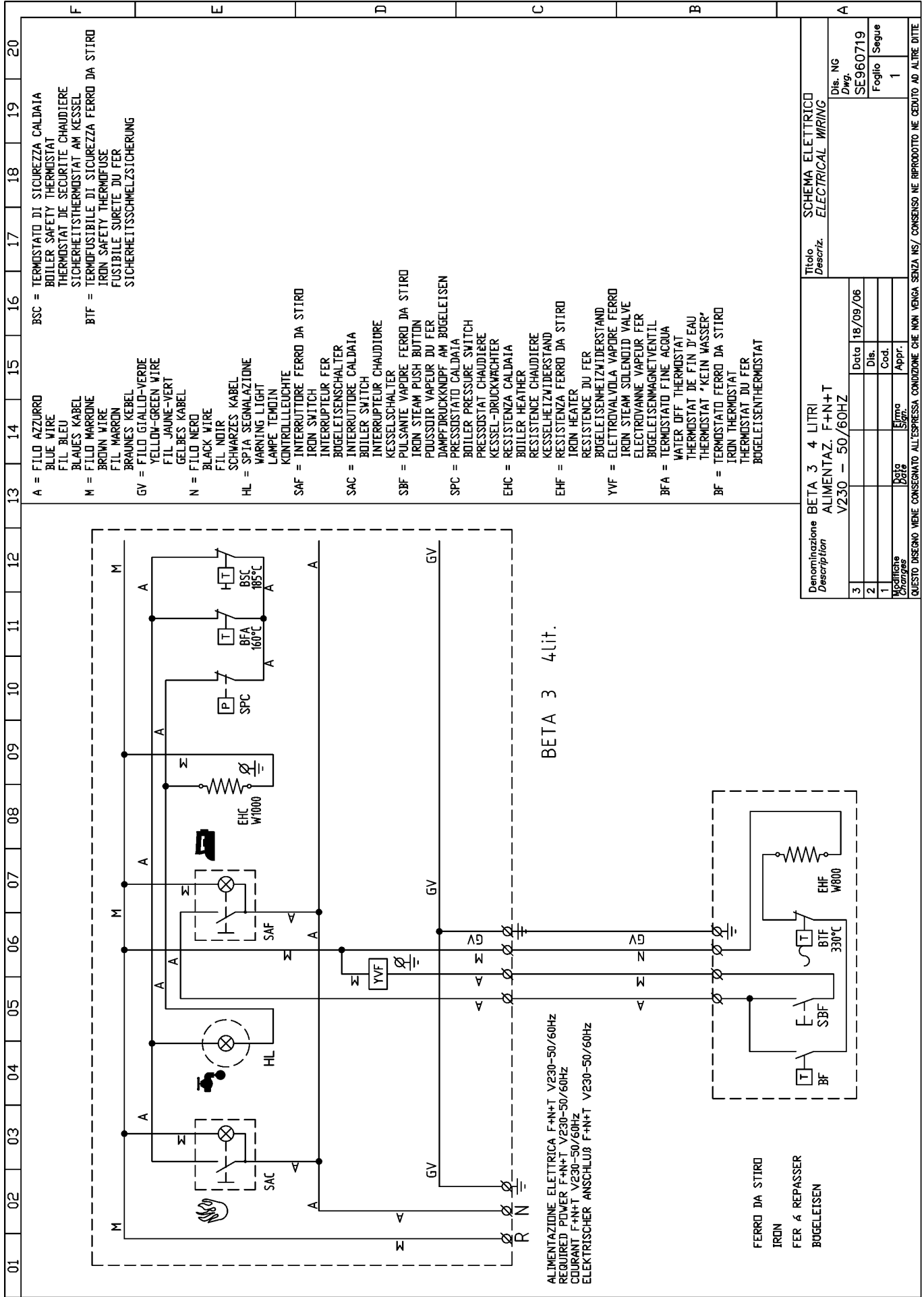
FERRO DA STIRO
 IRON
 FER 4 REPASSER
 BÜGELEISEN

BETA 3

- A = FILD AZZURRO
BLUE WIRE
- M = FILD MARRONE
BROWN WIRE
- GV = FILD GIALLO-VERDE
YELLOW-GREEN WIRE
- N = FILD NERO
BLACK WIRE
- HL = SPTA SEGNALEZIONE
WARNING LIGHT
- SAF = INTERRUTTORE FERRO DA STIRO
IRON SWITCH
- SAC = INTERRUTTORE CALDAIA
BOILER SWITCH
- SBF = PULSANTE VAPORE FERRO DA STIRO
IRON STEAM PUSH BUTTON
- EHC = RESISTENZA CALDAIA
BOILER HEATER
- EHF = RESISTENZA FERRO DA STIRO
IRON HEATER
- YVF = ELETTRIVALVOLA VAPORE FERRO
IRON STEAM SOLENOID VALVE
- BS = TERMOSTATO DI SERVIZIO CALDAIA
BOILER WORKING THERMOSTAT
- BSC = TERMOSTATO DI SICUREZZA CALDAIA
BOILER SAFETY THERMOSTAT
- BF = TERMOSTATO FERRO DA STIRO
IRON THERMOSTAT
- BTF = TERMOSTATO FERRO DA STIRO
IRON THERMOSTAT

BTF = TERMOFUSIBILE DI SICUREZZA FERRO DA STIRO
 IRON SAFETY THERMIFUSE
 THERMIFUSIBLE DE SECURITE FER
 SICHERHEITSSCHMELZSICHERUNG

Denominazione Description		BETA 3 ALIMENTAZ. F+N+T V230 - 50/60HZ		Titolo Descriz.		SCHEMA ELETTRICO ELECTRICAL WIRING	
3		Data	18/07/86	Dis. NG		Dwg.	SE960718
2		Dis.	GLG	Foglio		Segue	
1		Cod.		1			
Firma		Appr.					



- A = FILO AZZURRO
BLUE WIRE
- M = FILO MARRONE
BROWN WIRE
- GV = FILO GIALLO-VERDE
YELLOW-GREEN WIRE
- N = FILO NERO
BLACK WIRE
- HL = SPTA SEGNALAZIONE
WARNING LIGHT
- SAF = INTERRUTTORE FERRO DA STIRO
IRON SWITCH
- SAC = INTERRUTTORE CALDAIA
BOGELEISENSCHALTER
- SBF = PULSANTE VAPORE FERRO DA STIRO
IRON STEAM PUSH BUTTON
- SPC = DAMPFRÜCKKNÖPF AM BOGELEISEN
BOILER PRESSURE SWITCH
- EHC = RESISTENZA CALDAIA
BOILER HEATER
- EHF = RESISTENZA FERRO DA STIRO
IRON HEATER
- YVF = ELETTROVALVOLA VAPORE FERRO
ELECTROVAPNE VAPEUR FER
- BFA = TERMOSTATO FINE ACQUA
WATER OFF THERMOSTAT
- BF = TERMOSTATO FERRO DA STIRO
IRON THERMOSTAT

- BSC = TERMOSTATO DI SICUREZZA CALDAIA
BOILER SAFETY THERMOSTAT
- BT = TERMOSTATO DI SICUREZZA FERRO DA STIRO
IRON SAFETY THERMOFUSE
- GV = FILO GIALLO-VERDE
YELLOW-GREEN WIRE
- N = FILO NERO
BLACK WIRE
- HL = SPTA SEGNALAZIONE
WARNING LIGHT
- SAF = INTERRUTTORE FERRO DA STIRO
IRON SWITCH
- SAC = INTERRUTTORE CALDAIA
BOILER SWITCH
- SBF = PULSANTE VAPORE FERRO DA STIRO
IRON STEAM PUSH BUTTON
- SPC = DAMPFRÜCKKNÖPF AM BOGELEISEN
BOILER PRESSURE SWITCH
- EHC = RESISTENZA CALDAIA
BOILER HEATER
- EHF = RESISTENZA FERRO DA STIRO
IRON HEATER
- YVF = ELETTROVALVOLA VAPORE FERRO
ELECTROVAPNE VAPEUR FER
- BFA = TERMOSTATO FINE ACQUA
WATER OFF THERMOSTAT
- BF = TERMOSTATO FERRO DA STIRO
IRON THERMOSTAT

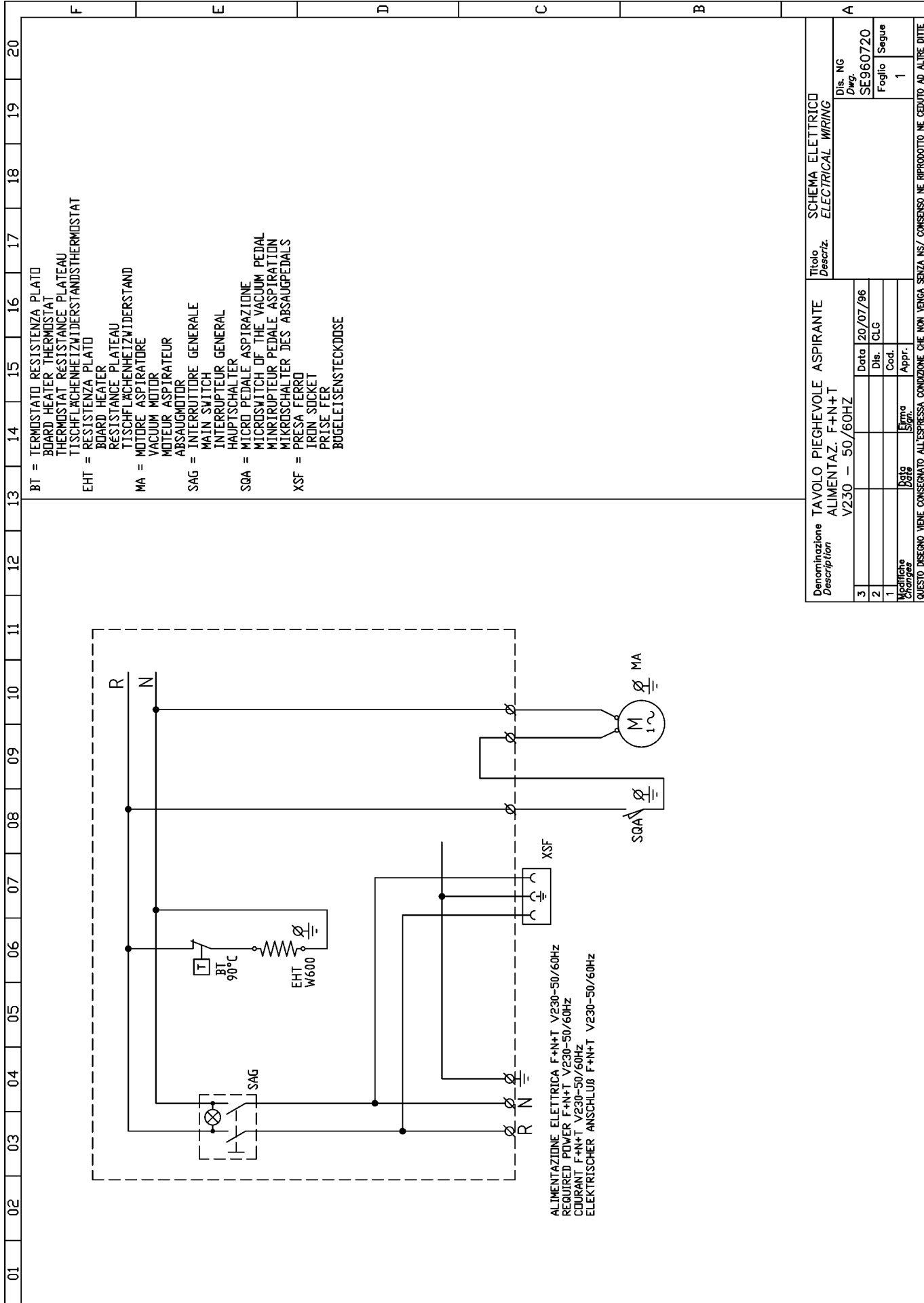
- BSC = TERMOSTATO DI SICUREZZA CALDAIA
BOILER SAFETY THERMOSTAT
- BT = TERMOSTATO DI SICUREZZA FERRO DA STIRO
IRON SAFETY THERMOFUSE
- GV = FILO GIALLO-VERDE
YELLOW-GREEN WIRE
- N = FILO NERO
BLACK WIRE
- HL = SPTA SEGNALAZIONE
WARNING LIGHT
- SAF = INTERRUTTORE FERRO DA STIRO
IRON SWITCH
- SAC = INTERRUTTORE CALDAIA
BOILER SWITCH
- SBF = PULSANTE VAPORE FERRO DA STIRO
IRON STEAM PUSH BUTTON
- SPC = DAMPFRÜCKKNÖPF AM BOGELEISEN
BOILER PRESSURE SWITCH
- EHC = RESISTENZA CALDAIA
BOILER HEATER
- EHF = RESISTENZA FERRO DA STIRO
IRON HEATER
- YVF = ELETTROVALVOLA VAPORE FERRO
ELECTROVAPNE VAPEUR FER
- BFA = TERMOSTATO FINE ACQUA
WATER OFF THERMOSTAT
- BF = TERMOSTATO FERRO DA STIRO
IRON THERMOSTAT

- BSC = TERMOSTATO DI SICUREZZA CALDAIA
BOILER SAFETY THERMOSTAT
- BT = TERMOSTATO DI SICUREZZA FERRO DA STIRO
IRON SAFETY THERMOFUSE
- GV = FILO GIALLO-VERDE
YELLOW-GREEN WIRE
- N = FILO NERO
BLACK WIRE
- HL = SPTA SEGNALAZIONE
WARNING LIGHT
- SAF = INTERRUTTORE FERRO DA STIRO
IRON SWITCH
- SAC = INTERRUTTORE CALDAIA
BOILER SWITCH
- SBF = PULSANTE VAPORE FERRO DA STIRO
IRON STEAM PUSH BUTTON
- SPC = DAMPFRÜCKKNÖPF AM BOGELEISEN
BOILER PRESSURE SWITCH
- EHC = RESISTENZA CALDAIA
BOILER HEATER
- EHF = RESISTENZA FERRO DA STIRO
IRON HEATER
- YVF = ELETTROVALVOLA VAPORE FERRO
ELECTROVAPNE VAPEUR FER
- BFA = TERMOSTATO FINE ACQUA
WATER OFF THERMOSTAT
- BF = TERMOSTATO FERRO DA STIRO
IRON THERMOSTAT

- BSC = TERMOSTATO DI SICUREZZA CALDAIA
BOILER SAFETY THERMOSTAT
- BT = TERMOSTATO DI SICUREZZA FERRO DA STIRO
IRON SAFETY THERMOFUSE
- GV = FILO GIALLO-VERDE
YELLOW-GREEN WIRE
- N = FILO NERO
BLACK WIRE
- HL = SPTA SEGNALAZIONE
WARNING LIGHT
- SAF = INTERRUTTORE FERRO DA STIRO
IRON SWITCH
- SAC = INTERRUTTORE CALDAIA
BOILER SWITCH
- SBF = PULSANTE VAPORE FERRO DA STIRO
IRON STEAM PUSH BUTTON
- SPC = DAMPFRÜCKKNÖPF AM BOGELEISEN
BOILER PRESSURE SWITCH
- EHC = RESISTENZA CALDAIA
BOILER HEATER
- EHF = RESISTENZA FERRO DA STIRO
IRON HEATER
- YVF = ELETTROVALVOLA VAPORE FERRO
ELECTROVAPNE VAPEUR FER
- BFA = TERMOSTATO FINE ACQUA
WATER OFF THERMOSTAT
- BF = TERMOSTATO FERRO DA STIRO
IRON THERMOSTAT

- BSC = TERMOSTATO DI SICUREZZA CALDAIA
BOILER SAFETY THERMOSTAT
- BT = TERMOSTATO DI SICUREZZA FERRO DA STIRO
IRON SAFETY THERMOFUSE
- GV = FILO GIALLO-VERDE
YELLOW-GREEN WIRE
- N = FILO NERO
BLACK WIRE
- HL = SPTA SEGNALAZIONE
WARNING LIGHT
- SAF = INTERRUTTORE FERRO DA STIRO
IRON SWITCH
- SAC = INTERRUTTORE CALDAIA
BOILER SWITCH
- SBF = PULSANTE VAPORE FERRO DA STIRO
IRON STEAM PUSH BUTTON
- SPC = DAMPFRÜCKKNÖPF AM BOGELEISEN
BOILER PRESSURE SWITCH
- EHC = RESISTENZA CALDAIA
BOILER HEATER
- EHF = RESISTENZA FERRO DA STIRO
IRON HEATER
- YVF = ELETTROVALVOLA VAPORE FERRO
ELECTROVAPNE VAPEUR FER
- BFA = TERMOSTATO FINE ACQUA
WATER OFF THERMOSTAT
- BF = TERMOSTATO FERRO DA STIRO
IRON THERMOSTAT

Denominazione Description		BETA 3 4 LITRI ALIMENTAZ. F+N+T V230 - 50/60HZ		Titolo Descriz.		SCHEMA ELETTRICO ELECTRICAL WIRING	
3		Data	18/09/06	Dis. NG			
2		Dis.		Dwg.	SE960719		
1		Cod.		Foglio	Segue		
Modifiche Changes		Orig.	Empr.	Appr.	1		



Denominazione Description		TAVOLO PIEGHEVOLE ASPIRANTE ALIMENTAZ. F+N+T		Titolo Descriz.		SCHEMA ELETTRICO ELECTRICAL WIRING	
V230 - 50/60HZ		V230 - 50/60HZ		Dis. NG		SE960720	
3		Data	20/07/96	Foglio		1	
2		Dis.	CLG	Segue			
1		Cod.					
Modifiche Changes		Disegn.	Disegn.	Firma Sign.		Appr. Appr.	

QUESTO DISEGNO VIENE CONSERVATO ALL'ESPRESSIONE CONDIZIONE CHE NON VENGA SENZA NS/ CONSENSO NE RIPRODOTTO NE CEDUTO AD ALTRE DITTE

MAINTENANCE PROCEDURES

No ordinary maintenance is necessary for this equipment. In case of irregularities or malfunctioning, please contact the service technician for the relevant checks.

Periodically, it is necessary to carry out the following operations:

OPERATION	Working hours
Control or replace the table cloth cover	1500
Empty the boiler completely	150

This machine does not require special equipment for check and/or maintenance operations. It is however advisable to use suitable tools and personal protections in compliance with the Italian law by decree 626/94, which have to be in good conditions (Presidential Decree 547/55), in order to avoid any damages to persons or machine components.

Make sure that the power supply is disconnected prior to any maintenance service and that the whole equipment has cooled down.

13 DISPOSAL

During the maintenance on the machine, or in case of its scrapping, please dispose carefully and correctly of any polluting components, according to the local regulations. In case of scrapping, the identification rating plate and any other document have to be destroyed.

14 HOW TO ORDER SPARE PARTS

Upon the spare parts request, please quote always:

Machine type, serial number, quantity of the requested spare parts, article number (these data can be read on the rating plate or supplied by the technical information of the machine and by the user's and maintenance manual).

For electrical components with a different voltage and frequency than V 220-380/50Hz (data available on the rating plate of the faulty component), specify the right voltage and frequency after having mentioned the article number.

The technical data, the descriptions and pictures included in this manual are not binding.

The manufacturer reserves the right to make any necessary modification without notice or having to up-date the present manual.

15 HANDLING AND TRANSPORT

Before its shipment, the machine is carefully packed in a carton box. During the shipment and storing of the machine, pay particular attention to the upside indication on the packaging. Upon receipt, please check that the packing is intact and store the machine in a dry place.

16 WARRANTY

All our products are supplied with a guarantee for materials and manufacturing failures for a period of maximum 12 months from the date of the delivery.

The guarantee is extended as it follows:

In case of malfunction of the machinery contact the manufacturer and quote the trouble, the model, serial number and the operating conditions of the machine. At the receipt of the machine and after an accurate analysis, the manufacturer reserves the right to repair or to replace the product. If the machine is still under guarantee, the manufacturer will repair or replace it free, but if the returned product is not defective, the manufacturer reserves the right to charge the freight to the customer (transport, etc.).

This warranty must be considered annulled in case of damages caused by an incorrect use, negligence, wear and tear, chemical corrosion, installation in contrast with the operating instructions. Any eventual modification or different use of the machine must be previously authorized by the manufacturer through a written document, otherwise the manufacturer can be considered free even from the guarantee bond.

The parts of the machine which are subjected to wear and tear are not included in the guarantee. All the items not explicitly cited or damages and expenses caused by the defects of the product itself. Implicitly the customer accepts the conditions of the present warranty purchasing the machine. Eventual modifications to the guarantee must be authorized by the manufacturer through a written document.